



US00D938745S

(12) **United States Design Patent**
Turac et al.

(10) **Patent No.:** **US D938,745 S**

(45) **Date of Patent:** **** Dec. 21, 2021**

(54) **VEHICLE SEATS**

Primary Examiner — Mimoso De

(71) Applicant: **TESLA, INC.**, Palo Alto, CA (US)

(74) *Attorney, Agent, or Firm* — Knobbe Martens Olson & Bear LLP

(72) Inventors: **Simon Turac**, San Francisco, CA (US);
Ivan Lampkin, Redondo Beach, CA (US);
David Imai, Los Angeles, CA (US);
Franz von Holzhausen, Malibu, CA (US)

(57) **CLAIM**

We claim the ornamental design for a vehicle seats, as shown and described.

(73) Assignee: **Tesla, Inc.**, Palo Alto, CA (US)

(**) Term: **15 Years**

(21) Appl. No.: **29/714,260**

(22) Filed: **Nov. 21, 2019**

(51) **LOC (13) Cl.** **06-01**

(52) **U.S. Cl.**
USPC **D6/356**

(58) **Field of Classification Search**

USPC D6/334–336, 356, 364, 367, 368, 374,
D6/380, 716, 716.1, 716.4, 716.5
CPC B60N 2/00; B60N 2/20; B60N 2/2222;
B60N 2/64; B60N 2/643; B60N 2/58;
B60N 2/646; B60N 2/68; B60N 2/682;
B60N 2/686; B60N 2/80; B60N 2/803;
B60N 2/02; B60N 2/01; B60N 2/012;
B60N

(Continued)

(56) **References Cited**

U.S. PATENT DOCUMENTS

7,677,656 B2 * 3/2010 Saberan B60N 2/206
297/188.04
9,573,503 B2 * 2/2017 Nie B60N 2/68

(Continued)

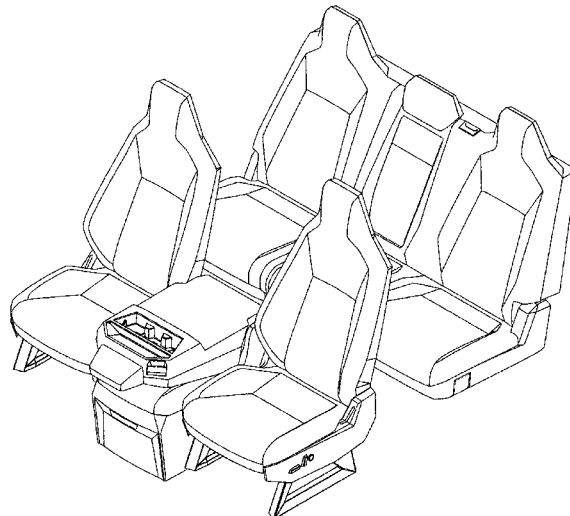
FOREIGN PATENT DOCUMENTS

DE 102015010282 A1 * 3/2016 B60N 2/58

DESCRIPTION

FIG. 1 is a front perspective view of a vehicle seats;
FIG. 2 is a front view of the vehicle seats of FIG. 1;
FIG. 3 is a rear view of the vehicle seats of FIG. 1;
FIG. 4 is a right side view of the vehicle seats of FIG. 1;
FIG. 5 is a left side view of the vehicle seats of FIG. 1;
FIG. 6 is a top view of the vehicle seats of FIG. 1;
FIG. 7 is a front perspective view of an outer front seat of
the vehicle seats of FIG. 1;
FIG. 8 is a front view of the outer front seat of FIG. 7;
FIG. 9 is a rear view of the outer front seat of FIG. 7;
FIG. 10 is a right side view of the outer front seat of FIG.
7;
FIG. 11 is a left side view of the outer front seat of FIG. 7;
FIG. 12 is a top view of the outer front seat of FIG. 7
FIG. 13 is a front perspective view of a rear seats of the
vehicle seats of FIG. 1;
FIG. 14 is a front view of the rear seats of FIG. 13;
FIG. 15 is a rear view of the rear seats of FIG. 13;
FIG. 16 is a right side view of the rear seats of FIG. 13;
FIG. 17 is a left side view of the rear seats of FIG. 13;
FIG. 18 is a top view of the rear seats of FIG. 13;
FIG. 19 is a front perspective view of a center seat of the
vehicle seats of FIG. 1, shown in a folded position;
FIG. 20 is a front view of the center seat of FIG. 19;
FIG. 21 is a rear view of the center seat of FIG. 19;
FIG. 22 is a right side view of the center seat of FIG. 19;
FIG. 23 is a left side view of the center seat of FIG. 19; and,
FIG. 24 is a top view of the center seat of FIG. 19.
In the drawings, the dashed broken lines represent features
that form no part of the claimed design.
FIGS. 7-24 are shown separately for ease of illustration.

1 Claim, 24 Drawing Sheets



(58) **Field of Classification Search**

CPC 2/206; B60N 2/0292; B60N 2/24; B60N
2/32

See application file for complete search history.

(56) **References Cited**

U.S. PATENT DOCUMENTS

9,987,959	B2 *	6/2018	Hayashi	B60N 2/58
D861,362	S *	10/2019	Smith	D6/356
D878,782	S *	3/2020	Quaintance	D6/356
10,821,864	B2 *	11/2020	Damerow	B60N 2/64
10,870,375	B2 *	12/2020	Recktenwald	B60N 2/68
10,934,000	B2 *	3/2021	Ehlers	B60N 2/682
D915,090	S *	4/2021	Zhang	D6/356

* cited by examiner

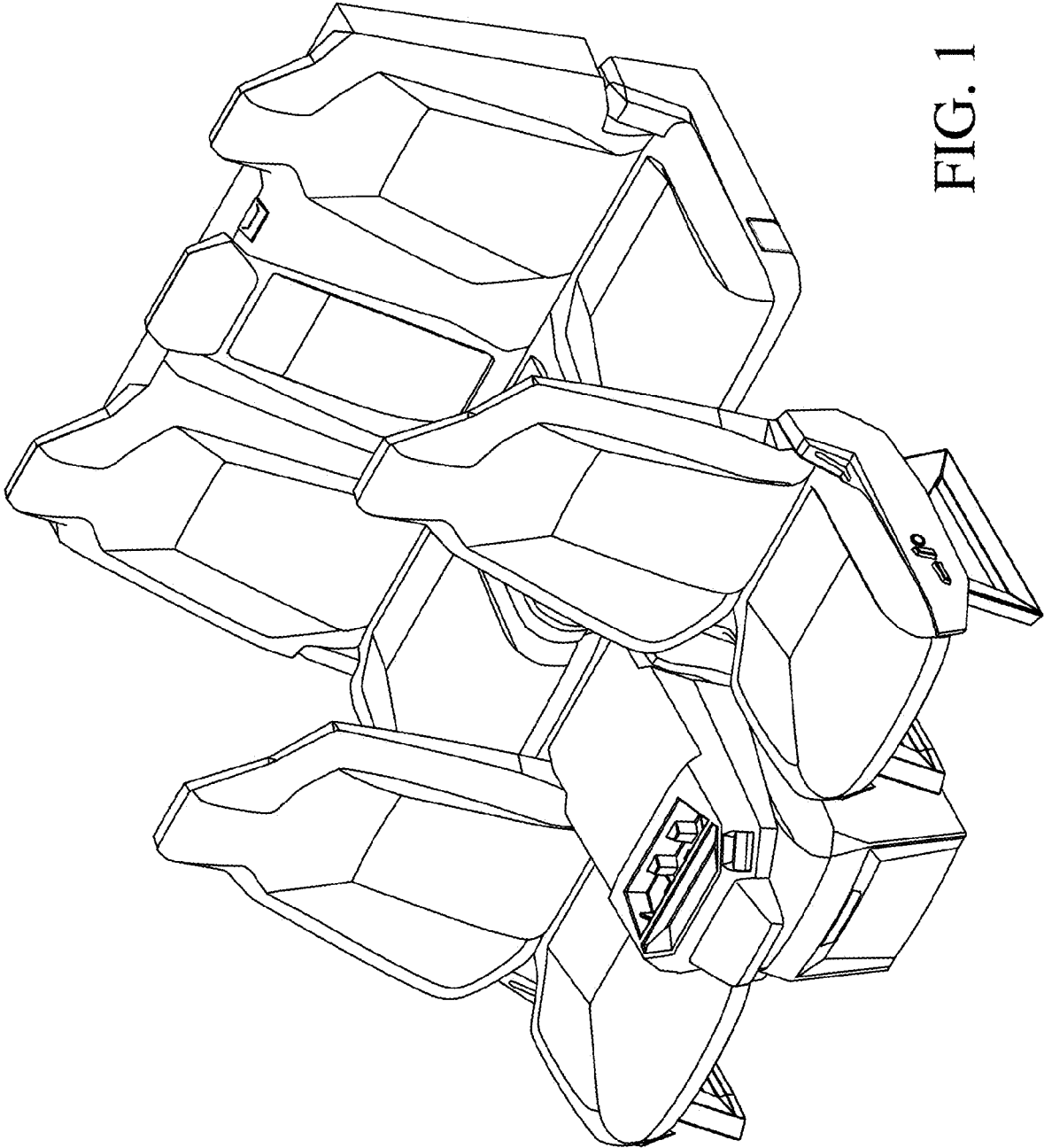


FIG. 1

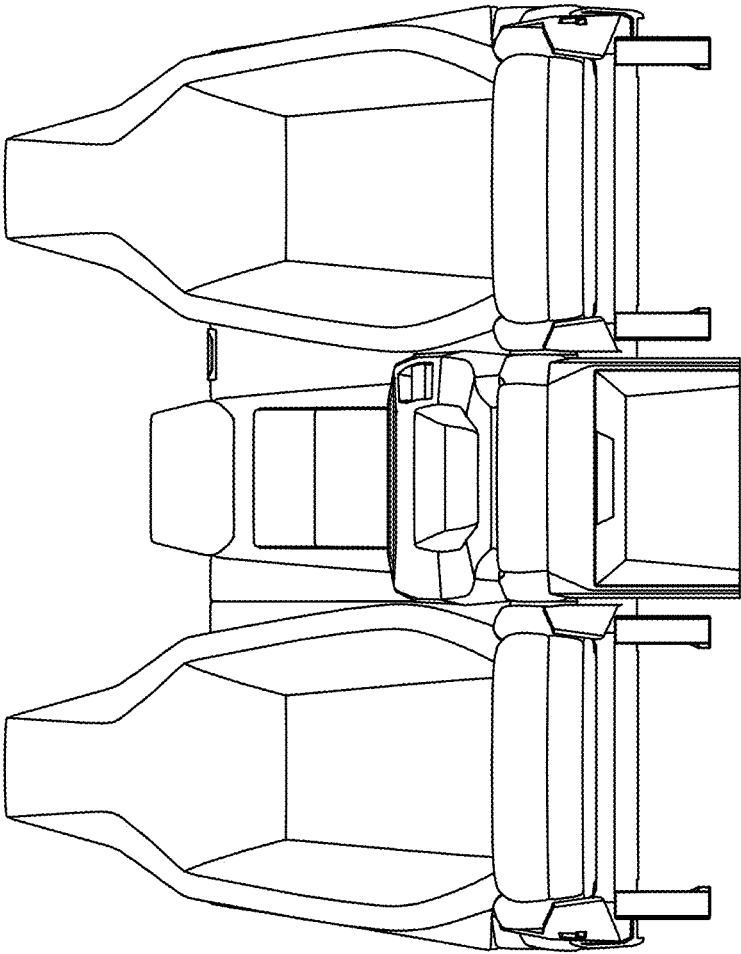


FIG. 2

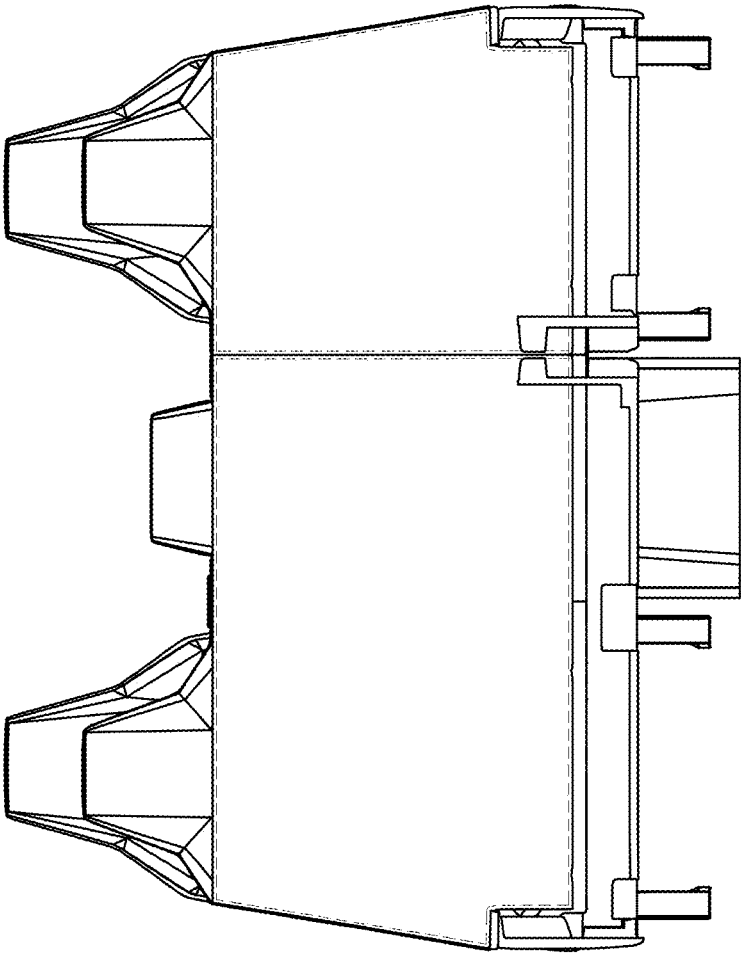


FIG. 3

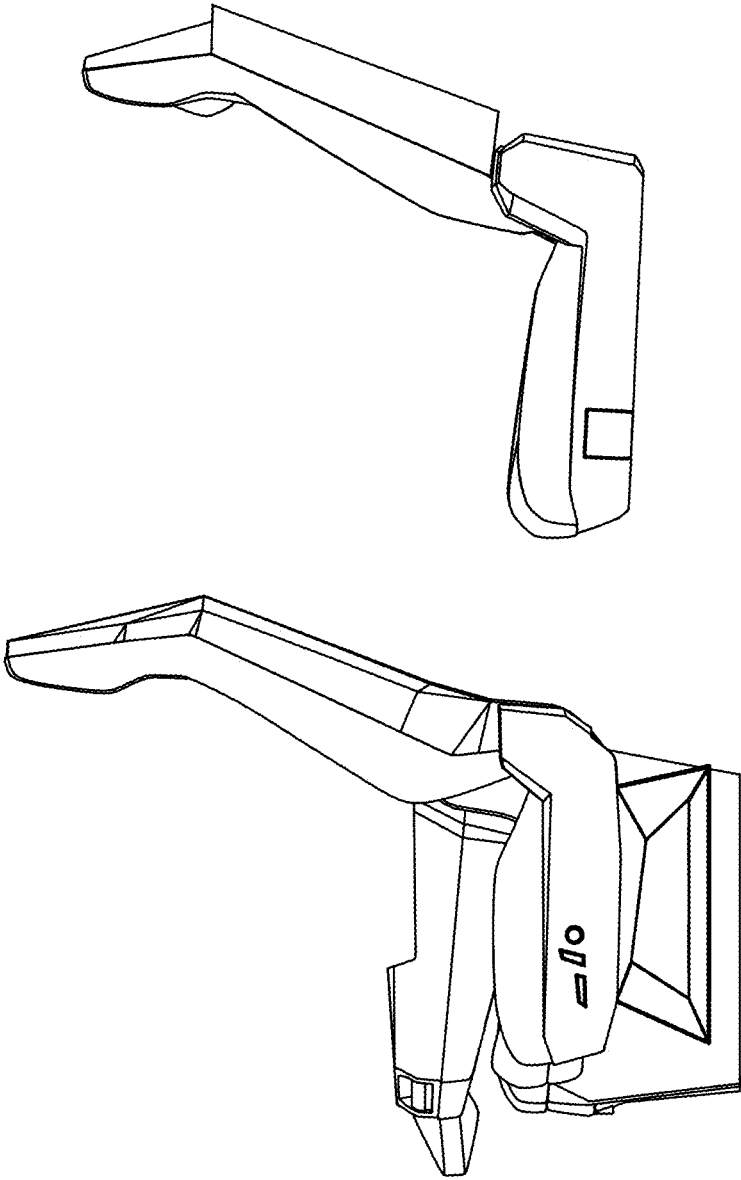


FIG. 4

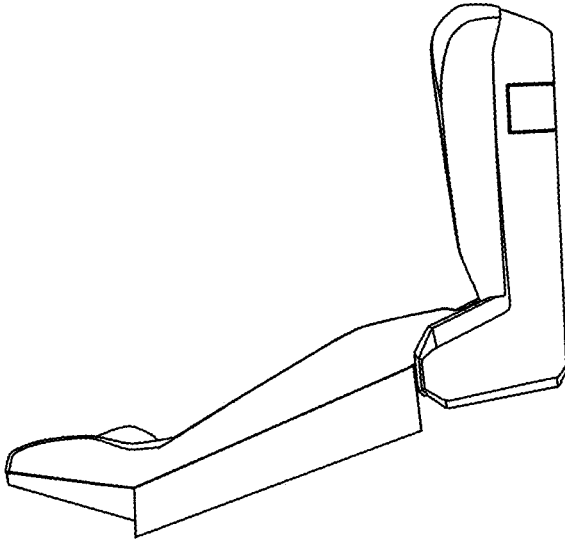
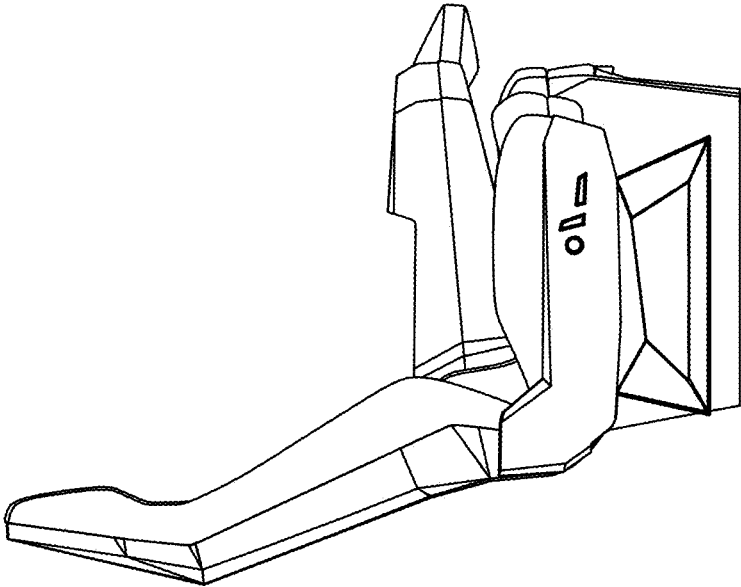


FIG. 5

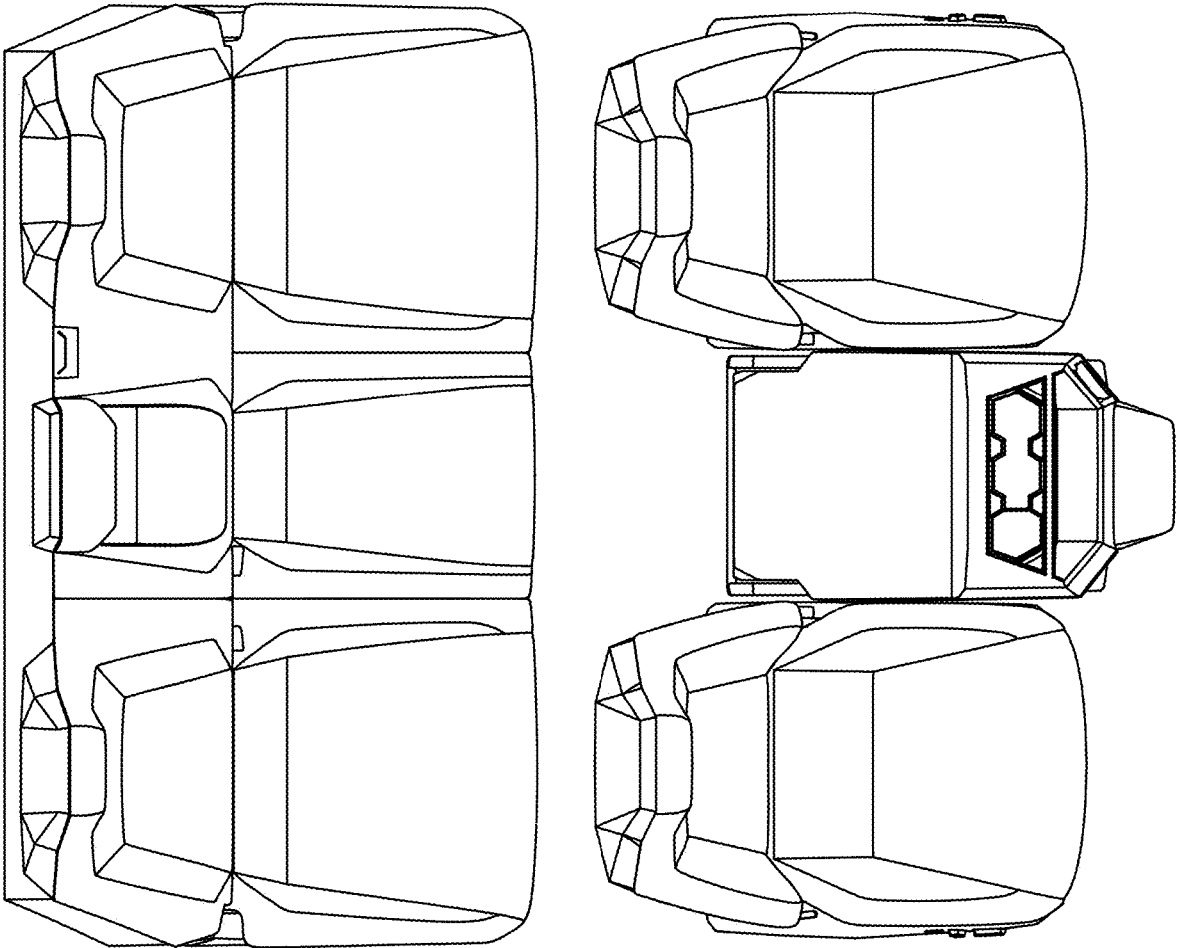


FIG. 6

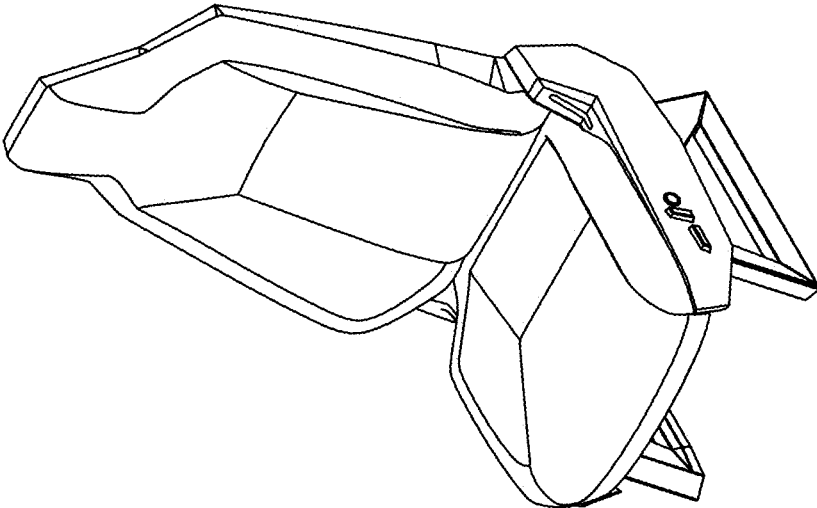


FIG. 7

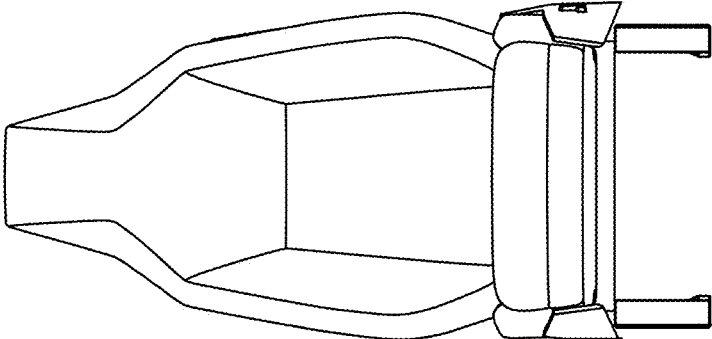


FIG. 8

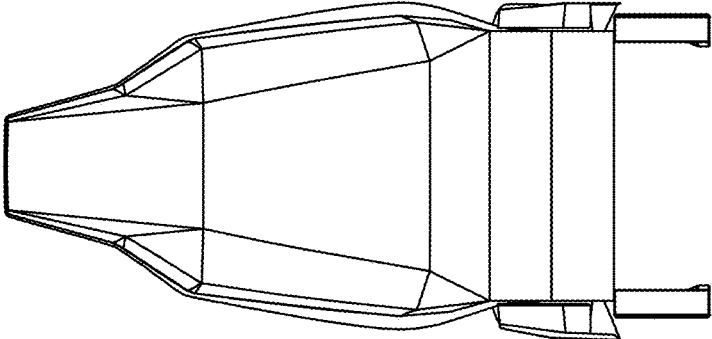


FIG. 9

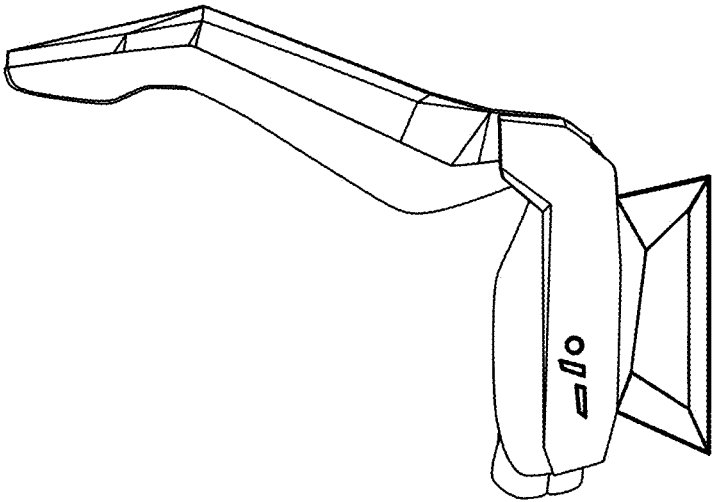


FIG. 10

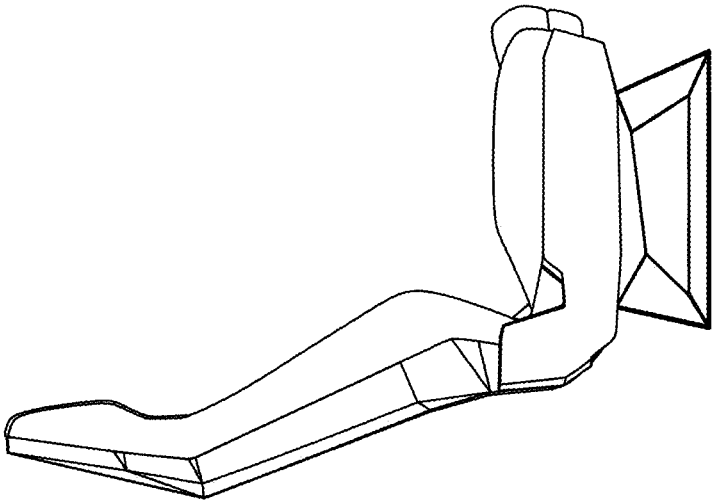


FIG. 11

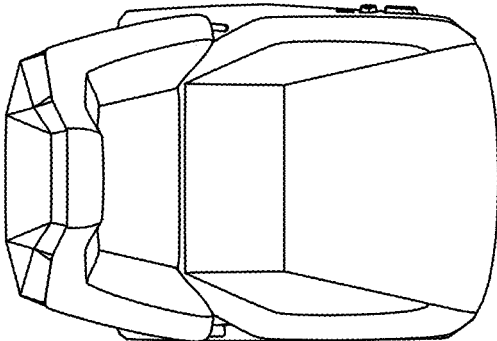


FIG. 12

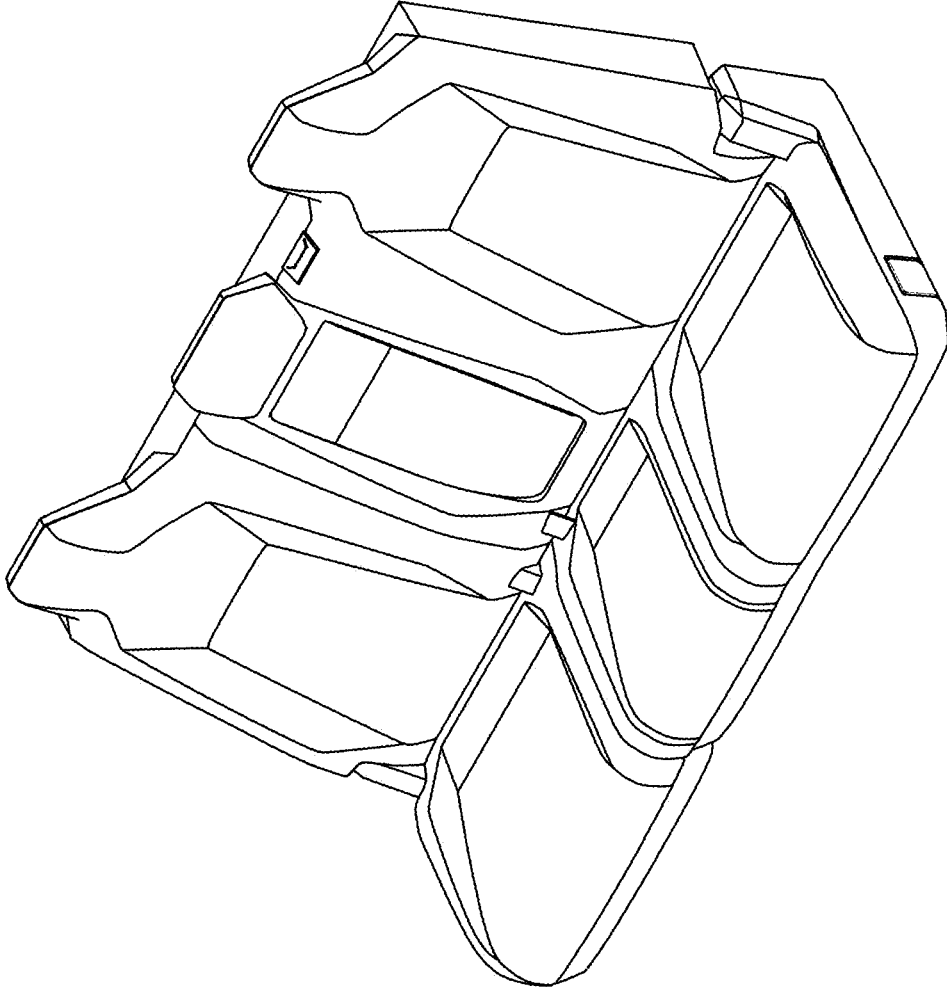


FIG. 13

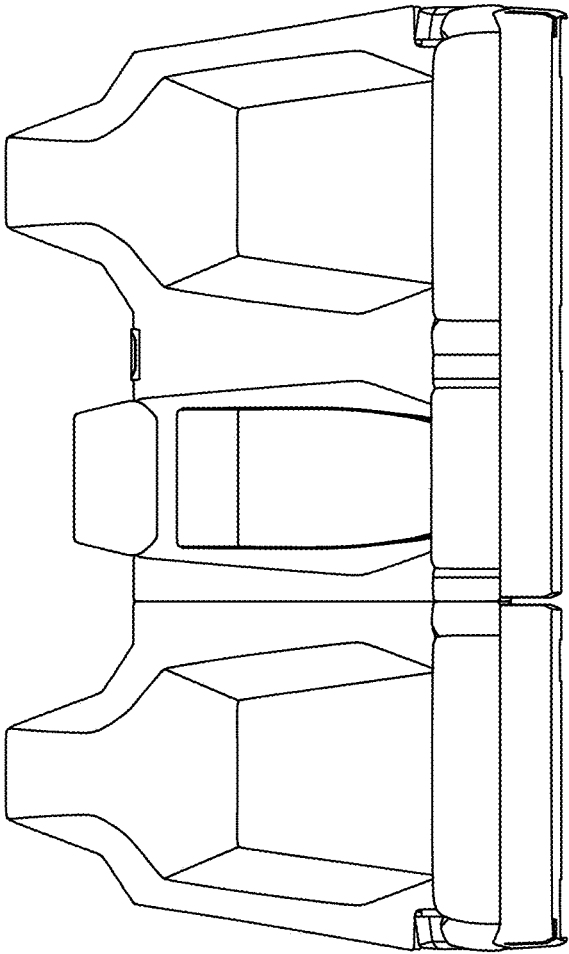


FIG. 14

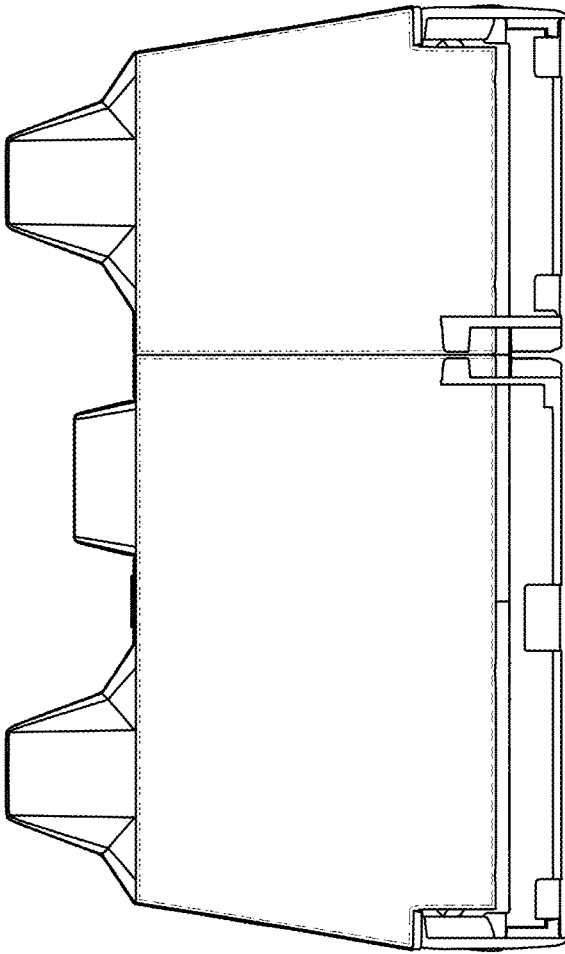


FIG. 15

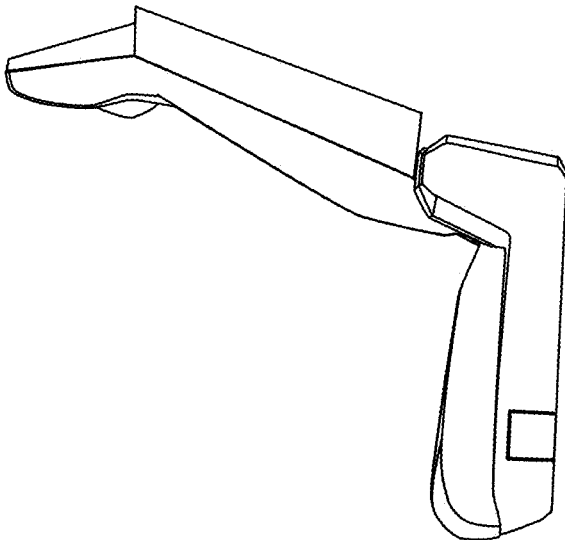


FIG. 16

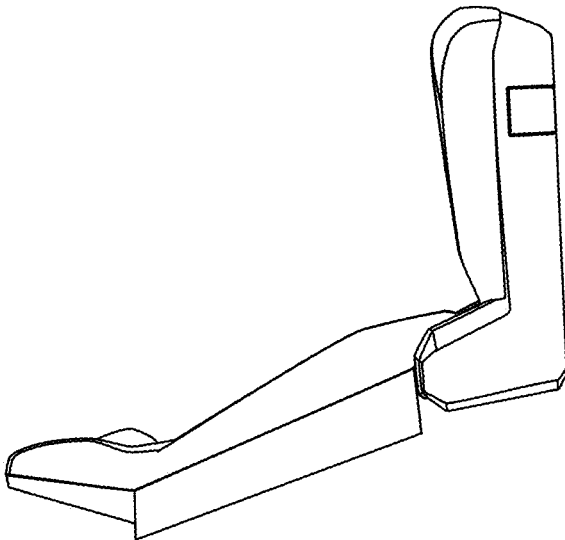


FIG. 17

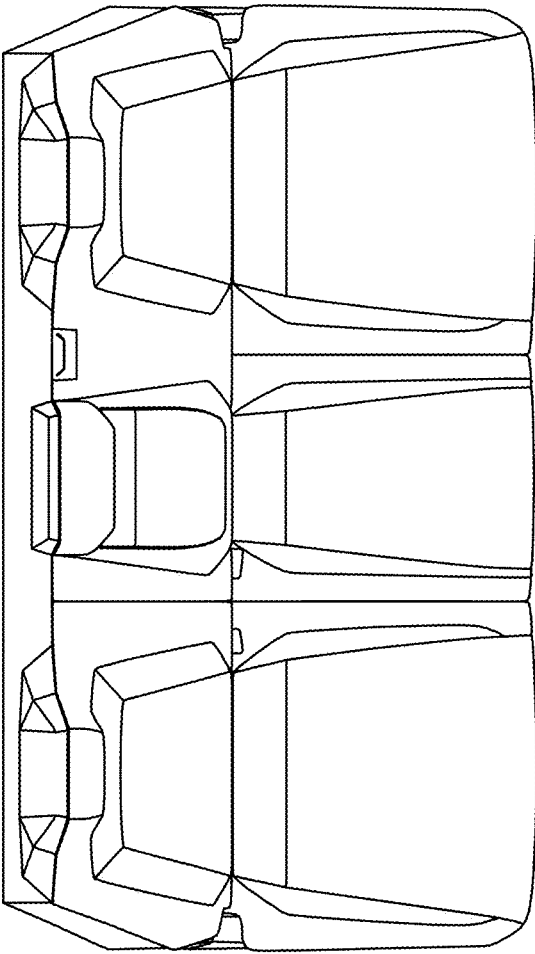


FIG. 18

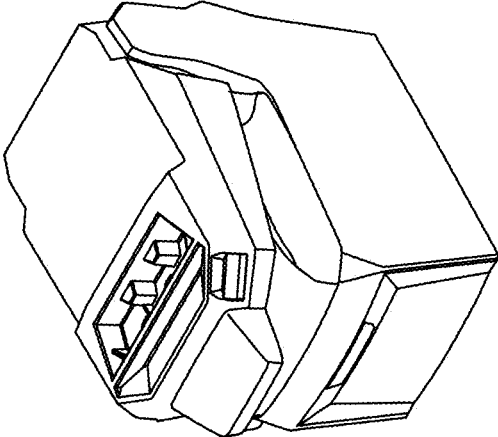


FIG. 19

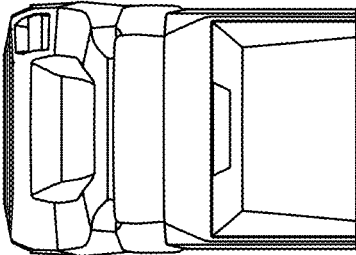


FIG. 20

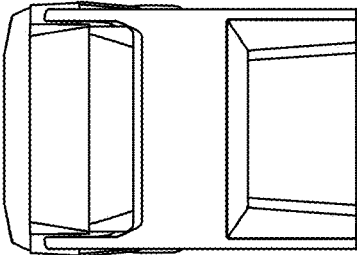


FIG. 21

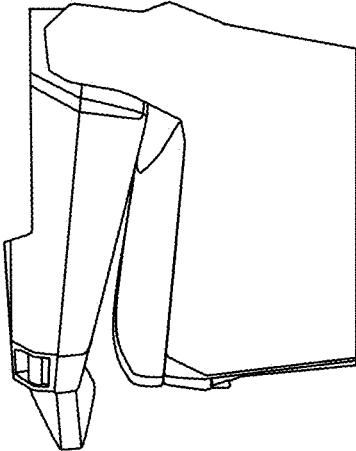


FIG. 22

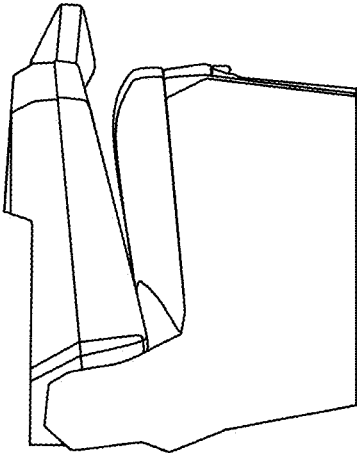


FIG. 23

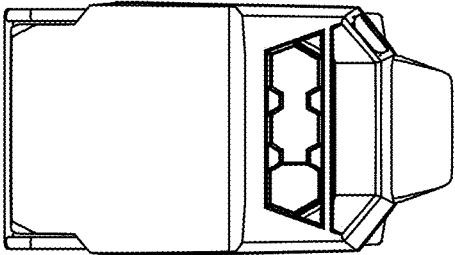


FIG. 24